

PHONETIKA® NetPA

Distributed IP-based sound system

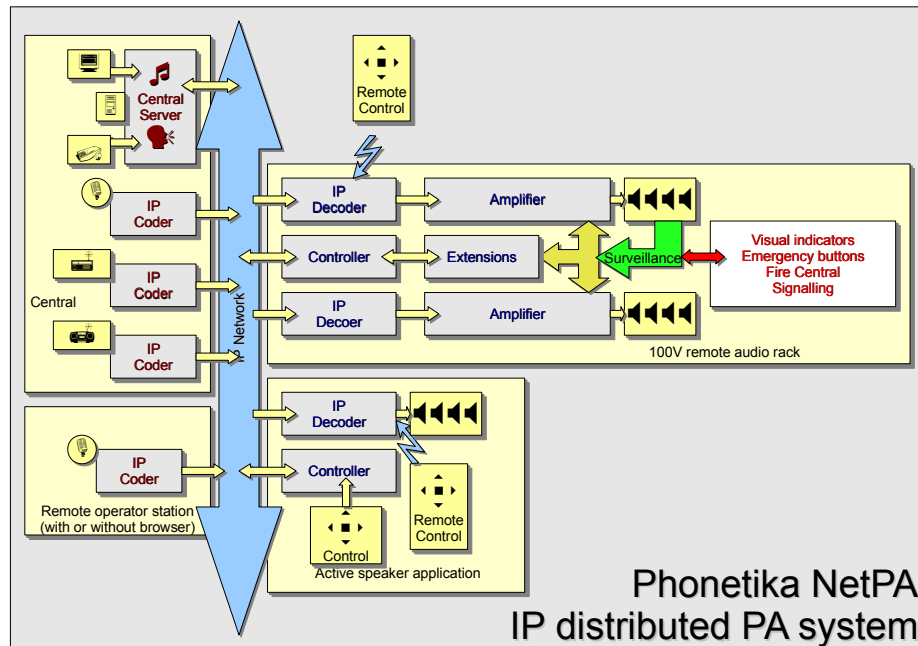
Any place, anywhere... Terminal in Lisbon, a destination in Sidney, another in London... up to your imagination.

versão 1.10, 2018-03-01

Cancelar
 1-Evacuação-Início
 2-Evacuação-Fim
 3-Sinal Descarga
 4-Aguarda definição
 5-Aguarda definição
 6-Aguarda definição
 7-Aguarda definição

	zona 1	zona 2	zona 3	zona 4
Mensagem	0	3	4	6
Microfone	2	2	2	2
Computador	3	3	3	3

Copyright © 2017-2018 Antonio J. de Oliveira



António J. de Oliveira

Venda do Pinheiro PORTUGAL

 <https://ajoliveira.net/>

+351211947800

 ajoliveira@ajoliveira.net

DESCRIPTION

The NetPA system aims to audio IP signal distribution, its control and monitoring from any source to any destination without any geographical restrain.



APPLICATIONS

- Banks
- Offices
- Airports
- Embassies
- Road stations
- Rail stations
- Stores

Configurar o dispositivo

Nome	Colonial
Função	<input type="radio"/> Descodificador <input checked="" type="radio"/> Codificador
Carta	<input type="radio"/> 0 <input checked="" type="radio"/> 1
Endereço IP	192.168.0.100
Gateway	192.168.0.1
Máscara	255.255.255.0
Endereço de stream	224.0.0.1
Porta de stream	5000
Bitrate em kbps	128
Número de canais	<input checked="" type="radio"/> 1 <input type="radio"/> 2
Índice de controle de volume	8
Volume de saída (dB)	0.01
<input type="button" value="Cancelar"/>	<input type="button" value="Confirmar"/>

versão 1.00, 2017-12-04

 **PHONETIKA** 

Por favor identifique-se

Digite Nome e Senha de Acesso

Nome:	<input type="text"/>
Senha:	<input type="password"/>
<input type="button" value="Entrar"/>	

FEATURES

- Client-server architecture
- Sources and destinations may be placed anywhere, even thousands of kilometers apart.
- Target zone addressing programmable for any source/user
- Definable pre-recorded messages for any group of target zones
- Automatic system resume at the end of any message or terminal addressing
- Relay-triggered priorities
- Programmable target zone volume
- Any operator terminal may be freely moved to any point reached by the network
- Shares network with other devices, no dedicated network
- Firewall and user-rights management with logs for every operation
- All system management via browser
- On-line help
- Operator browser terminal with local device touch-screen option
- Remote monitoring for all devices
- Linux operating system
- Operator terminals may use any operating system
- System server may stock and distribute audio
- Redundant server option

ESPECIFICAÇÕES

Network	Ethernet
Audio	RTP/MP3
Multicast	Mandatory, may work with TCP-only with limited capabilities
Response	20-20kHz±3dB (320kbps)
THD+N	<0.01% 1kHz
Bandwidth	64-320kbps
Contacts	24V 1A
Sources	Unlimited
Zones	Unlimited

Specifications may change without prior notice.

Phonetika® registered PT brand 616370

V1.00 Copyright © Antonio J. de Oliveira 2020 all rights reserved.